

Specifications

Wafer

備注 (Remark)

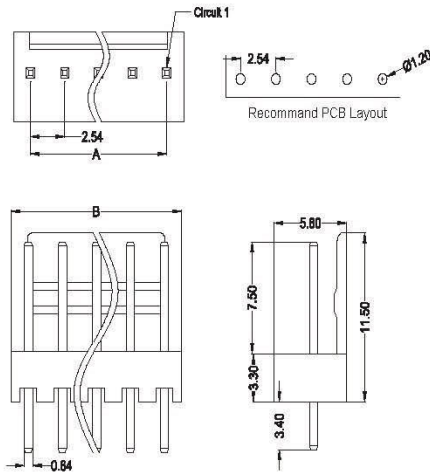
1. 材料 (Material)

膠芯: PA66 UL94V-0/2

Housing: PA66 UL94V-0/2

端子: 黃銅

Contact: Brass



WTB2540-PV1-XX

| Poles | Dimensions (mm) | | Poles | Dimensions (mm) | |
|-------|-----------------|-------|-------|-----------------|-------|
| | A | B | | A | B |
| 2 | 2.54 | 5.08 | 12 | 27.94 | 30.48 |
| 3 | 5.08 | 7.62 | 13 | 30.48 | 33.02 |
| 4 | 7.62 | 10.16 | 14 | 33.02 | 35.56 |
| 5 | 10.16 | 12.70 | 15 | 35.56 | 38.10 |
| 6 | 12.70 | 15.24 | 16 | 38.10 | 40.64 |
| 7 | 15.24 | 17.78 | 17 | 40.64 | 43.18 |
| 8 | 17.78 | 20.32 | 18 | 43.18 | 45.72 |
| 9 | 20.32 | 22.86 | 19 | 45.72 | 48.26 |
| 10 | 22.86 | 25.40 | 20 | 48.26 | 50.80 |
| 11 | 25.40 | 27.94 | | | |

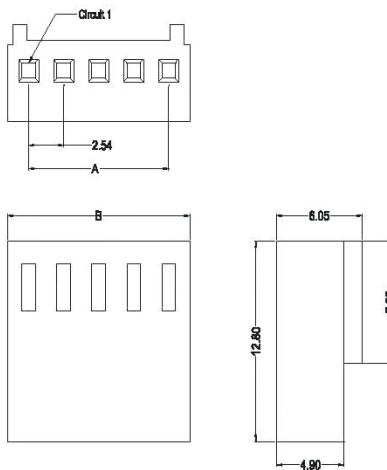
Housing

備注 (Remark)

1. 材料 (Material)

膠芯: PA66 UL94V-2

Housing: PA66 UL94V-2



WTH2540-PV1-XX

| Poles | Dimensions (mm) | | Poles | Dimensions (mm) | |
|-------|-----------------|-------|-------|-----------------|-------|
| | A | B | | A | B |
| 02 | 2.54 | 5.68 | 10 | 22.86 | 26.00 |
| 03 | 5.08 | 8.22 | 11 | 25.40 | 28.54 |
| 04 | 7.62 | 10.76 | 12 | 27.94 | 31.08 |
| 05 | 10.16 | 13.30 | 13 | 30.48 | 33.62 |
| 06 | 12.70 | 15.84 | 14 | 33.02 | 36.16 |
| 07 | 15.24 | 18.38 | 15 | 35.56 | 38.70 |
| 08 | 17.78 | 20.92 | 16 | 38.10 | 41.24 |
| 09 | 20.32 | 23.46 | | | |

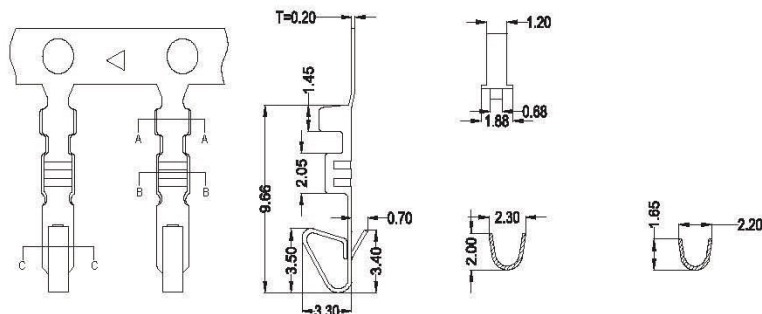
Terminal

備注 (Remark)

1. 材料 (Material)

端子: 黃銅

Contact: Brass



WTT2540-PV1